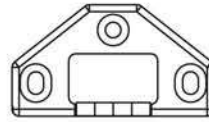


X1



X4

M3*16



X1



X3

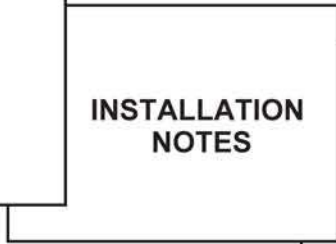
M3.5*19

LOCK HOUSING

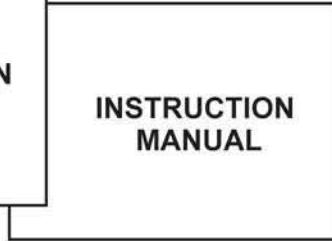
STRIKING PLATE



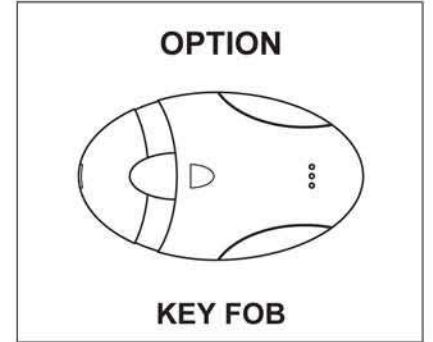
WARRANTY CARD



INSTALLATION NOTES



INSTRUCTION MANUAL

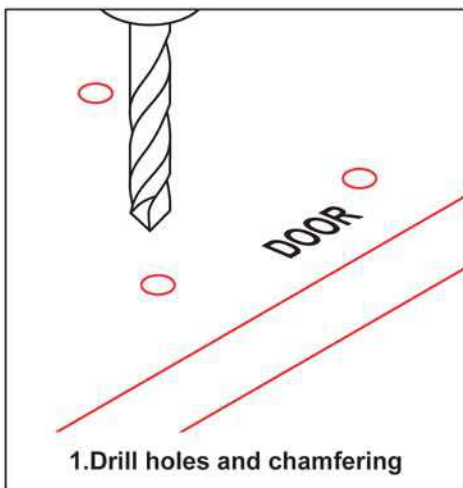
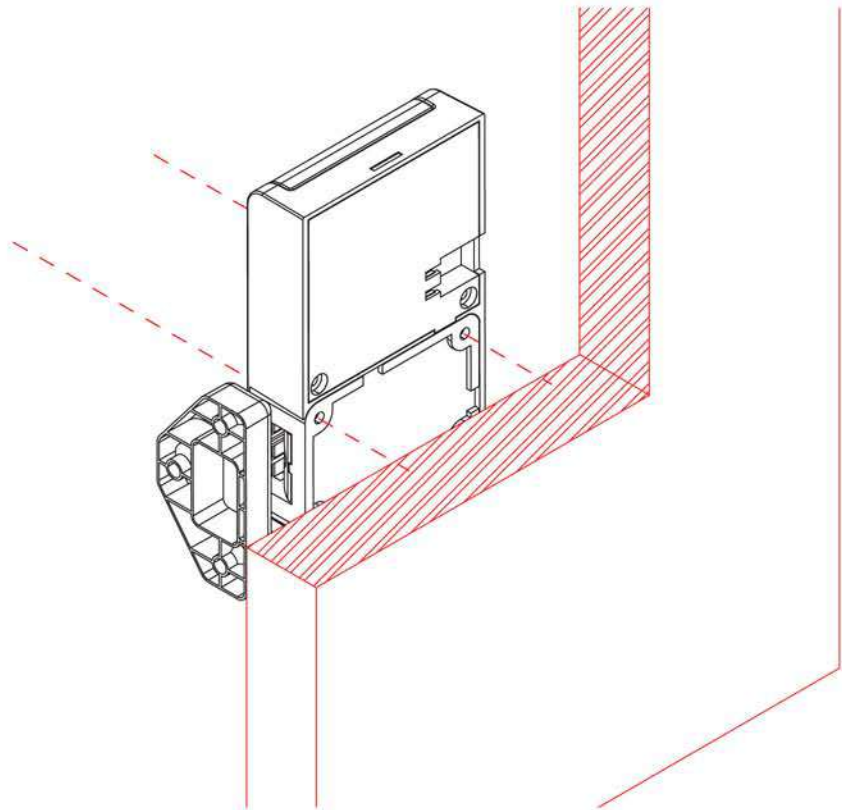


OPTION

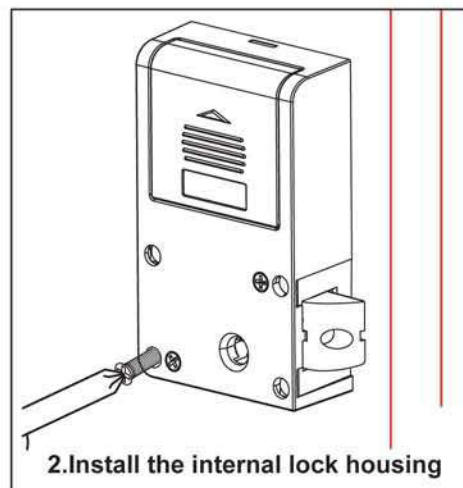
KEY FOB

**INSTALLATION
DIAGRAM**

BTLS-BK001



1. Drill holes and chamfering

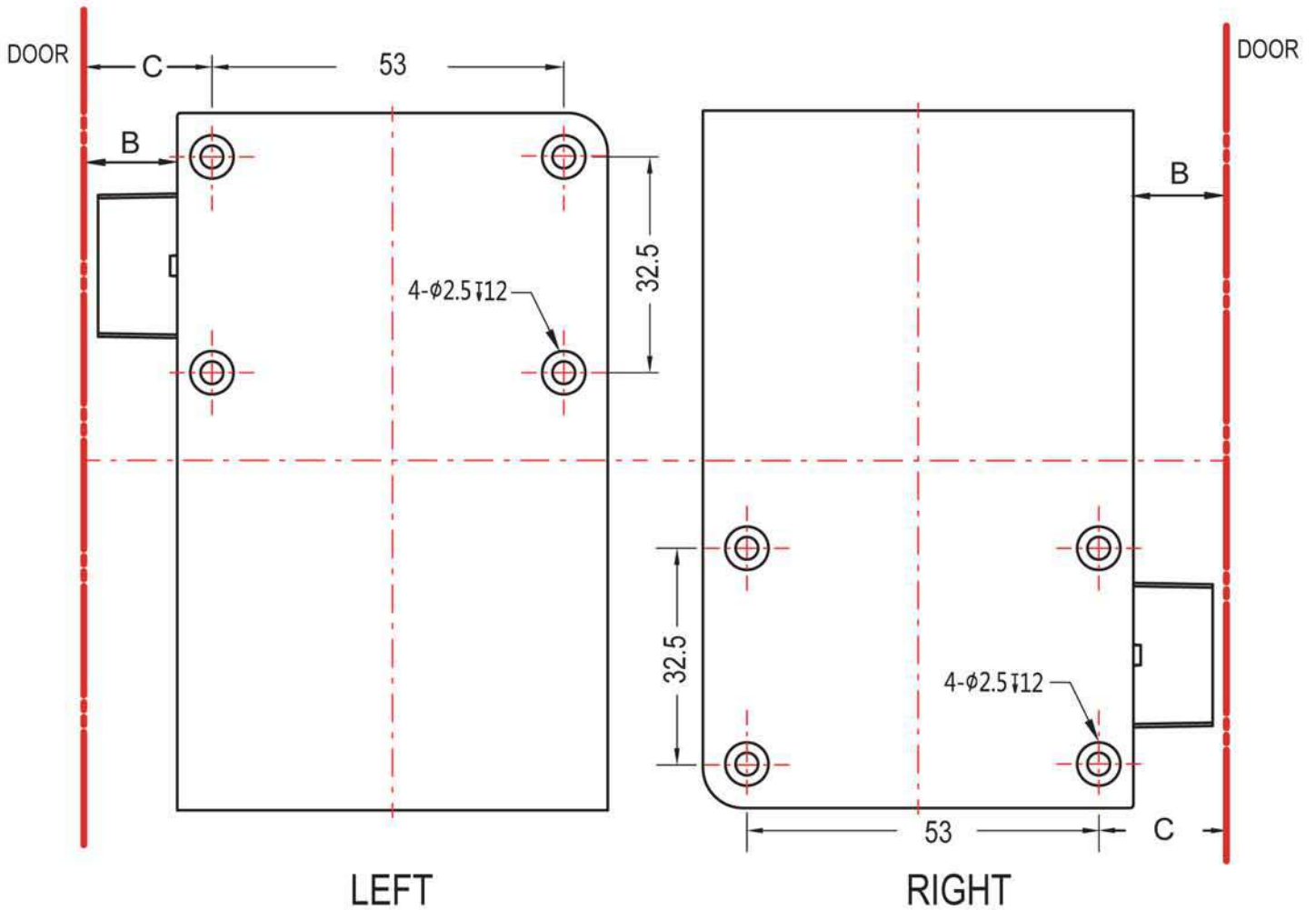


2. Install the internal lock housing

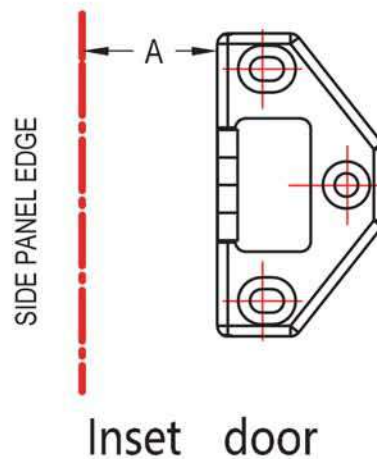
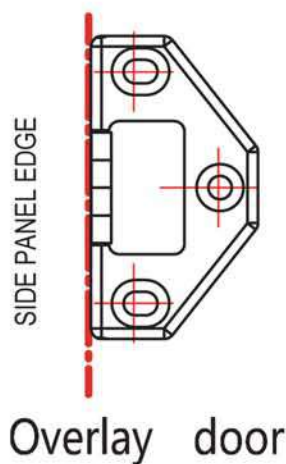
DRILLING DRAWING

CODE	INSET DOOR	OVERLAY DOOR
B	15mm	15mm+A
C	20.25mm	20.25mm+A

A= THICKNESS OF DOOR



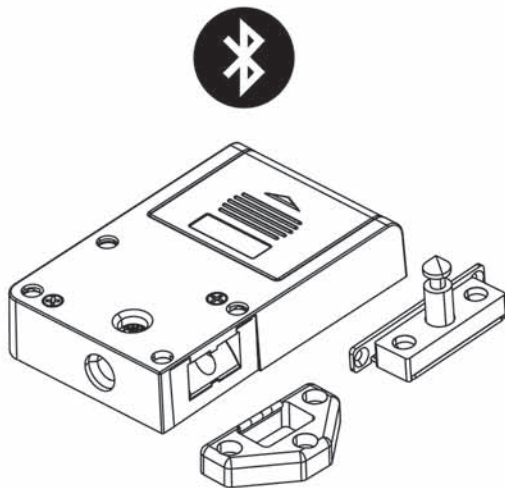
UNIT:mm



Bluetooth Lock

BTLS-BK001 BTLS-BK002

Operating Manual



How to setup:



1. Download the APP

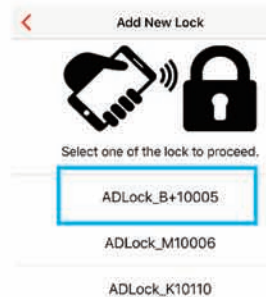
BTLS Mobile App is available from both the Apple App Store and the Google Play Store.

This user guide will use iOS style for illustration purpose. Either App's functions have the same or equivalent name/symbol will behave the same as hardware vendors (Android's device) allow. On Android device we can only test against major vendors. Full compatibilities and performance may vary on each device.

2. Register Owner Key to BTLS System.

The following steps are 6-digits passcode (Soft-Reset) registration processes:

1.From App "+" to Add new lock



2.Request Passcode lock



01

3.Verify" Passcode"

Verification

Authentication required before register lock. Please enter your six digits passcode.



4.Registration with new Passcode

Registration

Passcode Verification Completed. Now begin lock Registration, please click next when ready.



5.Unique Passcode (Important)

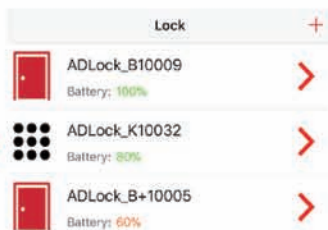
Success

Congratulations! You have successfully registered your lock. Please keep your six digits "Passcode" in safe places for future use.

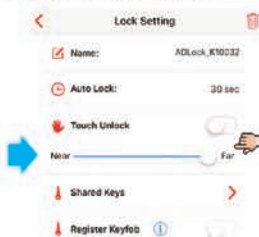
In case, you have lost your phone or tried to prevent unauthorized access. Please use your original "Passcode" to reset your lock.



6.Registration successful



7.Lock setting option



Notes: You can use "Touch Unlock" option to adjust distance between Lock and smartphone. The prefer distance (safe range) < 3 inches / 12 cm. But you can use slider to optimize meet your personal preference. You have to test this feature before you use it. Note: some model has "Near Field Unlock" feature. The App only shows the features equip with the Lock hardware.

02

Caution Note: Do not share passcode with other people. Anyone knows this passcode can reset and re-register to new passcode. New passcode is for emergency reset, i.e. lost phone / security issues. Use Owner's App to reset the BTLS lock to New Unique-ID and re-send sharing virtual key to existing users.

Multi-Users Caution Note:

In order to allow multi users coexisting with Bluetooth connection condition, only Owner's smartphone will have Bluetooth connection all the time. All other users (family / guest) allow to instantly access Bluetooth connection from App the first time, after that the App will delay 15 seconds and yield to owner and other users to access the ADLock.

3. EZSmart Mobile App's icon / symbols (Fig-1):

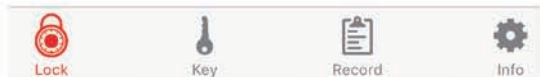


Fig-1

▲ **Lock** - Top-level Lock view. It shows available Locks and selection menu. Use '+' to add a new lock. The App will auto scan .



Fig-2

03

▲ **Key - Shared virtual keys:** New User has to download and use the App.

Only the "App unlock method" is available to the new users.

- For long distance share virtual key uses **"By Email Method"**.

- For "Face to Face" uses **"Scan QR Code Method"**.

Only Owner can generate one time use of new encrypted key code to new users.

For security reason: please do not share this QR Code image for more than one user. After 5 minutes, it will automatic expired for usage.

▲ **Key - Scan QR Code -**

1. Top-level Key view, it shows available key status and selection menu.

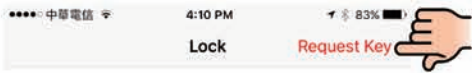


Fig-3

2. Use 'Request Key' to send the email to Owner or 'Scan QR Code' for new key. Owner uses 'Share Keys' option to send the 'encrypted key code file' or 'generate QR code' to the requester.



Fig-4

04

▲ **Key - Scan QR Code(Owner)** - Owner uses 'Share Keys' option to send the 'encrypted key code file' or 'generate QR code' to the requester.

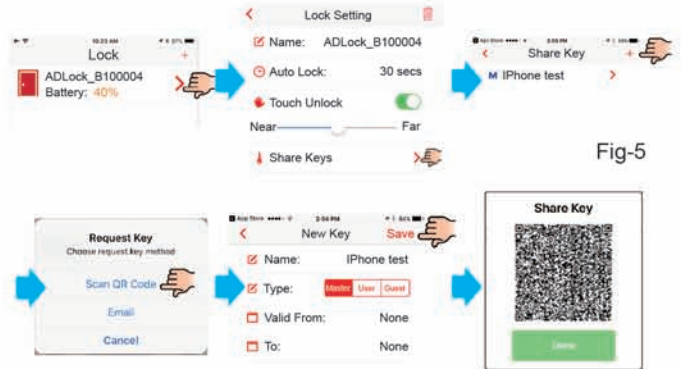


Fig-5

Fig-5-2

▲ **Key - By Email Method(User)** - This method is designed for long distance virtual key sharing condition. New User (guest) has to initiate the request by email (**"ID Code" to Owner**).



Fig-6

05

▲ **Key - By Email Method(Owner)** - The owner can use this "ID Code" from the email and generate bonding code for this phone only and send the secure **"Lock Key"** to the user.

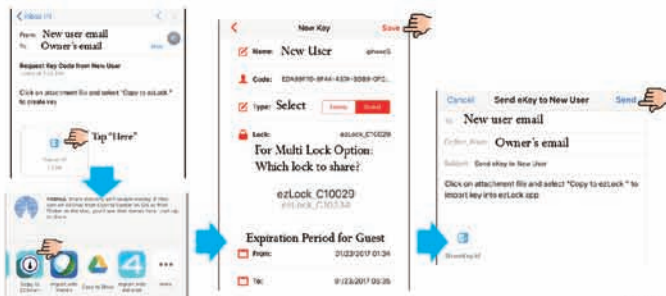


Fig-7

▲ **Key - By Email Method(User)** - Imports "virtual key code" from email.

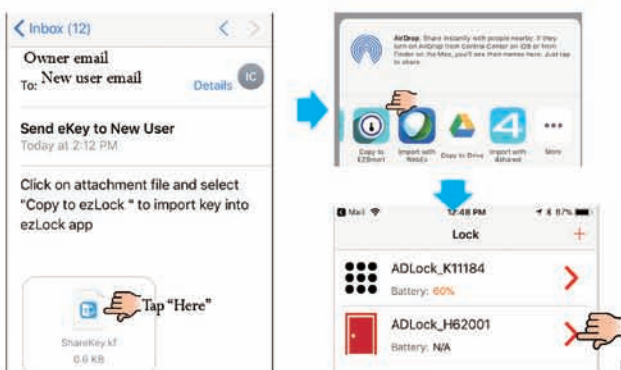


Fig-8

06

▲ **Record** - The owner can view all operation records in here.

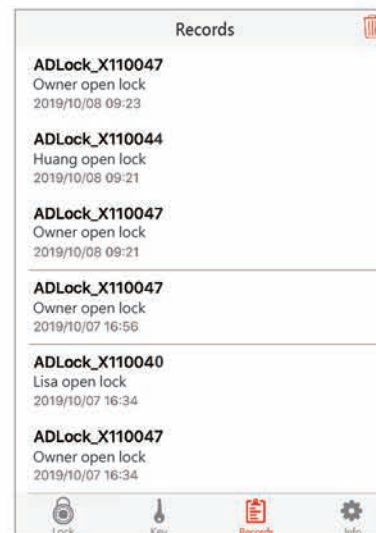


Fig-9

▲ **Info** - Please download "Google Drive" App and Tap "App Guide" to access more BTLS Lock Web Resources: User Guide and FAQ ...



Web Resource

Fig-10

07