



UNIQUE INNOVATIONS

59- B, Main Kotla Road, Near Jawala Prasad & Co.,
Opp. Defence Colony, New Delhi - 110003
TEL : +91 11 24655704, 41554595
Email : uniqueinnovations@gmail.com

User Manual

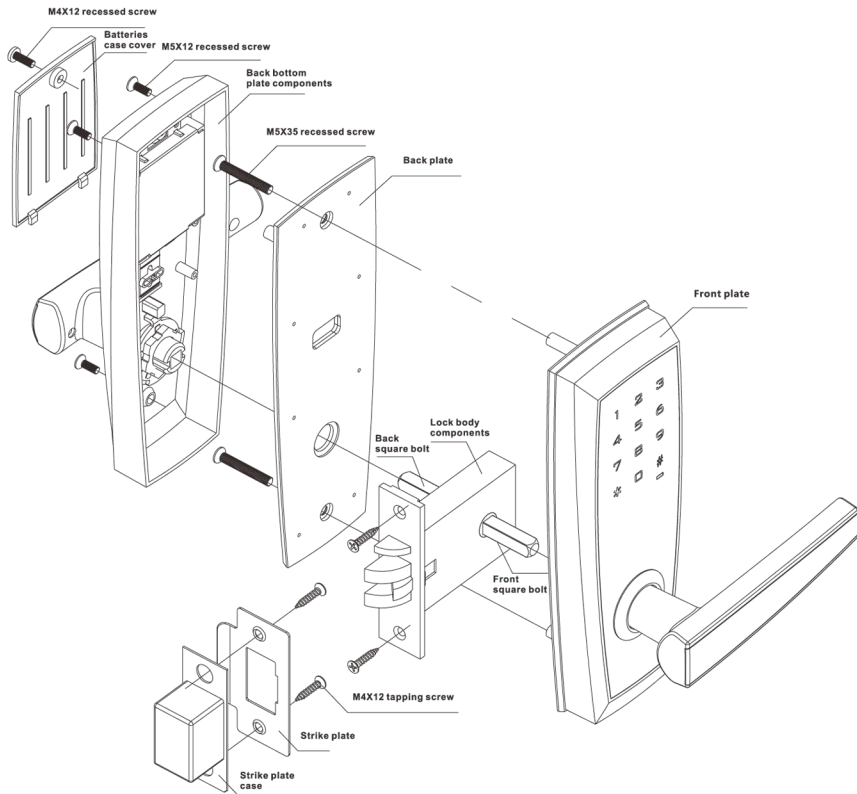
116E98 Intelligent Password Lock



CONTENT

| | |
|---|-------|
| 1. Exploded drawing | 03-04 |
| 2. Product advantages and specifications..... | 05 |
| 3. Technical parameters | 06 |
| 4. Functions and Operations..... | 07-15 |
| 5. Product size drawing..... | 16 |
| 6. Lock body size..... | 16 |
| 7. Hole map..... | 17 |

Exploded drawing (See picture)



Product advantages and specifications

- A.** Zinc alloy material.
- B.** Anti-peep Function: Support 24 messy codes input.
- C.** High technology touch screen panel with quick induction and high anti-interference performance.
- D.** Pass Water-proof test, Damp-proof test and Mould proof test.
- E.** PCB passes Low and high temperature test, Vibration Test and Aging Test. CPU of Philip chip technology.
- F.** Backup power: DC 9V external battery interface.

Technical parameters

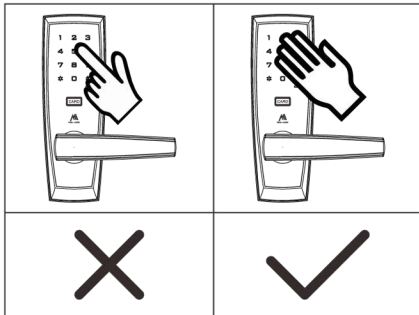
| | |
|-----------------------|---|
| Apply to | ID card |
| Induction way | Advanced microwave technology |
| Capacity of passwords | 200 groups |
| Capacity of cards | 800 cards |
| Power supply | DV4.5V~6.5V, 4*1.5V AA Alkaline batteries |
| Static current | <15 uA |
| Working Current | <150mA |
| Low voltage alarm | Sound and light alarm when voltage is below 4.8V. It is able to unlock 50times after that |
| Driver | Direct Current Micro Motor |
| Lock body | 60mm single latch lock body |
| Service Life | More than 30,0000 times unlocking |

Functions and Operations

Remarks: Activate the panel by touching it by palm or hand back in advance to unlock by passwords or set the door locks.

It is better to touch the panel with more fingers or larger area of hand back.

It shows as the follow picture when the panel is activated. Input passwords to unlock it.



To set the door lock, press "*" after the panel is activated, then press key 7, 8 or 9 to enter different mode of settings.

Functions and Operations

Functions details as below:

Initial user password is "123456".

Initial management password is "0000" (Management password cannot unlock the lock).

1. Change the management password.

Press (*) for 2s , then press "7", then input management passwords plus "#", then input new user passwords plus "#". Settings finish. Remarks: New management password will replace the old one.

2. Change the management card.

Press (*) for 2s , then press "7", then input management passwords plus "#", then read the new management card. Settings finish. Remarks: New management card will replace the old one.

Functions and Operations

3. Add new user cards or new user passwords.

Press (*) for 2s, then press “8”, then input management passwords plus “#”, then read blank card and press “#” to exit. Repeat for more user cards.

Press (*) for 2s, then press “8”, then input management passwords plus “#”, then input new user passwords and press “#” to exit. Repeat for more user passwords.

4. Delete user cards, user passwords.

Press (*) for 2s, then press “9”, then input management passwords plus “#”, then read user card and press “#” to exit. Repeat to delete more user cards.

Press (*) for 2s, in the mean time press “9”, then input management passwords plus “#”, then input user passwords and press “#”. Repeat to delete more user passwords.

Functions and Operations

5. Factory Reset

A. Factory Reset:

Press (*) for 2s, then press “0”, then input management passwords plus “#” or read management card plus “#”, then press “0” and press “#” to exit. Setting finished.

Functions and Operations

D. Delete all user passwords:

Press (*) for 2s , then time press "0", then input management passwords plus "#" or read management card plus "#", then press "0" and "3" and press "#" to exit. Setting finished.

6. Unlock Mode and Mode Setting

Remarks: Default Mode is Mode (1).

Mode (1): Password mode or Card mode. Unlock the lock by any valid password or card.

Setting: Press (*) for 2s , then press "0", then input management passwords plus "#" or read management card plus "#", then press "1" and press "#" to exit. Setting finished.

Functions and Operations

Mode (2): Coordination unlocking of approval by valid user card and valid user password. It is OK to read the valid card or to input the valid password in advance.

Setting: Press (*) for 2s , then press "0", then input management passwords plus "#" or read management card plus "#", then press "2" and press "#" to exit. Setting finished.

Functions and Operations
7. Others

A. The lock will alarm for 10times when inputting wrong passwords for 3times continuously. The keypad will be locked for 60s when entering wrong passwords for 7times continuously.

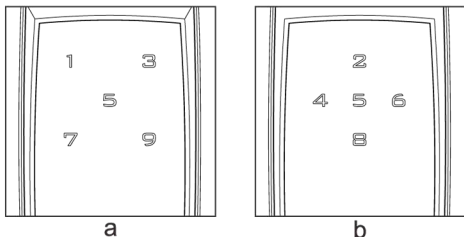
B. Anti-peeped Function: Input the passwords like XXX + passwords+ XXX, namely add messy codes before or after the passwords and press “#” to unlock the lock. Passwords should be within the last 31 numbers uninterruptedly.

C. Factory Reset Function:
 Unload the batteries case cover, press the button "ADEL" for 3s and the red light flashing. A blew sound indicates that the "Factory Reset Success" !
 Management password change back to "0000".
 Factory Reset will clear all user passwords and user cards, then any card can unlock, but none user passwords can work, after adding new user passwords, none card can work, add new user cards according to previous instructions.

8. Sound indicates

| | |
|---|--|
| "Duo Rei Mi" | Unlock or lock the door lock |
| Short "Dee" | Key sound |
| "Dee..." | Mechanical key or Passage mode activated. |
| Long "Dee" | Clear activated |
| "Dee" for 4times | Wrong mode |
| "Dee Da" | Valid password or valid card. |
| "Dee Da Dee Da" | Password or card setting finished. |
| Alarm whistle once | Invalid password or invalid card. |
| Alarm whistle for 10times | Inputting wrong passwords for 3times continuously. |
| Alarm whistle for 10times and lock keypad for 60s | Inputting wrong passwords for 7times continuously. |

Functions and Operations



a. It indicates invalid passwords or invalid card or incorrect operation.

b. Input user password or read user card under Mode (4):
Coordination unlocking of approval by valid user card and valid user password.

9. Using emergency key.

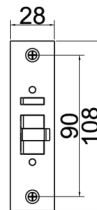
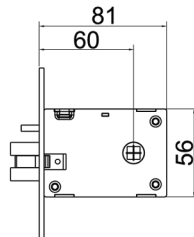
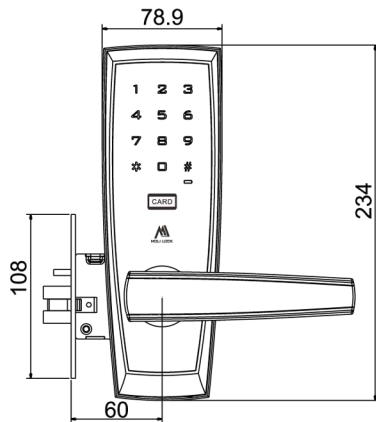
Unlock or lock the door lock by emergency key in bellow scenes:

- a. Lost passwords.
- b. Batteries run out of power.
- c. PCB broken.

As the following picture, insert the emergency key to unlock or lock.



Product size drawing & Lock Body Size



Hole Map

